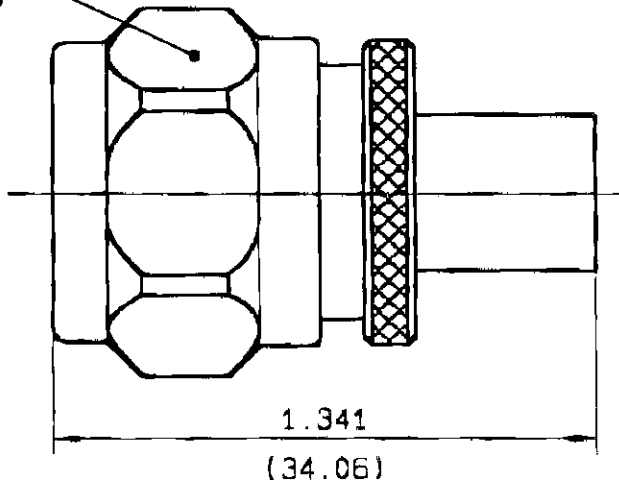


**BNC FEMALE PUSH-ON - N MALE  
STRAIGHT ADAPTER**

**R191.421.500**  
SERIES ADAPT

HEX 0.812 FLATS  
(HEX 20.62 PLATS)



|                                 |                         |                        |
|---------------------------------|-------------------------|------------------------|
| NOMINAL IMPEDANCE               | 50                      | Ω                      |
| FREQUENCY RANGE                 | 0-4                     | GHz                    |
| TEMPERATURE RATING              | -55/+155                | °C                     |
| V.S.W.R                         | 1.05 + .04 x F(GHz)Max1 |                        |
| RF INSERTION LOSS               | 0.05 √F(GHz)            | dB Max1                |
| VOLTAGE RATING                  | 1000                    | Veff Max1              |
| DIELECTRIC WITHSTANDING VOLTAGE | 1500                    | Veff Min1              |
| INSULATION RESISTANCE           | 5000                    | MΩMin1                 |
| HERMETIC SEAL                   | NA                      | Atm.cm <sup>3</sup> /s |
| LEAKAGE (pressurized only)      | NA                      |                        |
| MECHANICAL DURABILITY           | 500                     | Cycles                 |
| WEIGHT                          | 0                       | Oz                     |

|                            |               |
|----------------------------|---------------|
| CABLES :                   |               |
| OTHERS CHARACTERISTICS     |               |
| CABLE RETENTION            | 0 lb Min1     |
| CENTER CONTACT RETENTION   |               |
| Axial force - mating end   | 5.06 lb Min1  |
| Axial force - opposite end | 5.06 lb Min1  |
| Torque                     | NA Inch.oz    |
| RECOMMENDED TORQUES        |               |
| Mating                     | 37.88 Inch.lb |
| Panel nut                  | NA Inch.lb    |
| Clamp nut                  | NA Inch.lb    |

| CONNECTOR PARTS | MATERIALS        | FINISH                 | (all values are given in microinch) |
|-----------------|------------------|------------------------|-------------------------------------|
| BODY            | BRASS            | NICKEL 80              |                                     |
| OUTER CONTACT   | BRASS            | NICKEL 80              |                                     |
| CENTER CONTACT  | BERYLLIUM COPPER | GOLD 20 OVER NICKEL 80 |                                     |
| INSULATOR       | PTFE             | -                      |                                     |
| GASKET          | SILICONE RUBBER  | -                      |                                     |
| OTHERS PIECES   | BRASS            | NICKEL 80              |                                     |

|         |               |                  |
|---------|---------------|------------------|
| ISSUE   | CREATION DATE | FILE PART-NUMBER |
| 9842B00 | 18-MAR-96     | 93-0400-140      |



MASTER/AND